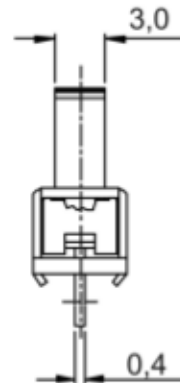
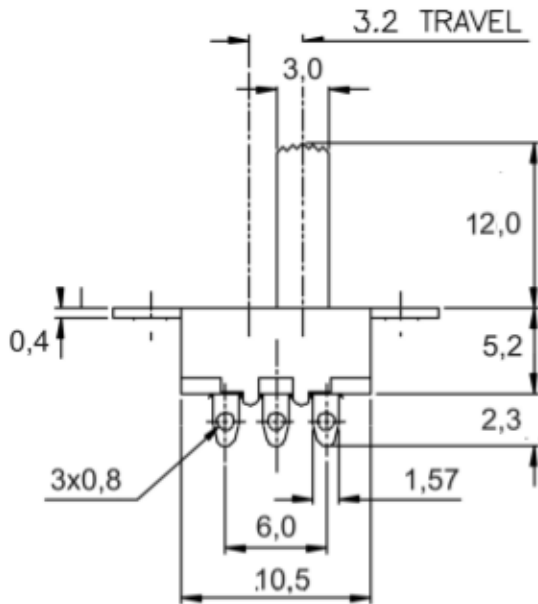
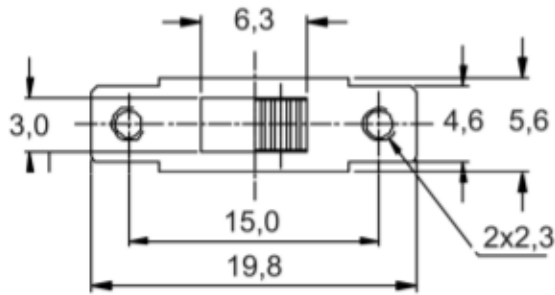
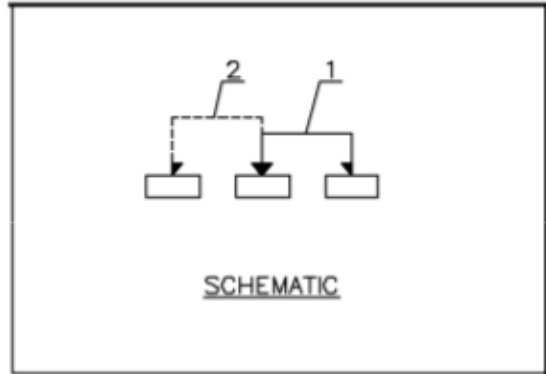


Przełącznik; suwakowy; SS12F16; ON-ON



ISSUED	SPECIFICATION (INITIAL)	TITLE: SLIDE SWITCH 1P2T			
	RATING: DC 50V 0.5A	MODEL NO: SS-12F16			
	CONTACT RESISTANCE: Not more than 30mΩ	UNIT: m m	DWN	Q F L	10.02.07
	INSULATION RESISTANCE 500MΩ at 500V DC	SCALE: 2 : 1	CHK'D		
	WITHSTAND VOLTAGE: AC 500V for 1 min	TOLERANCE: ±0.2	APPD.		
	OPERATION FORCE: 200±100g	DRWG NO:			
	SWITCHING LIFE: 10000 Cycles(6-10c/m loading)				
BY:					
DATE:					