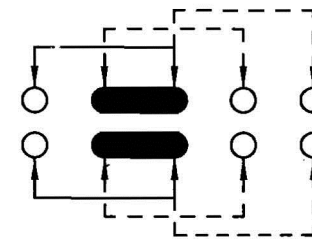
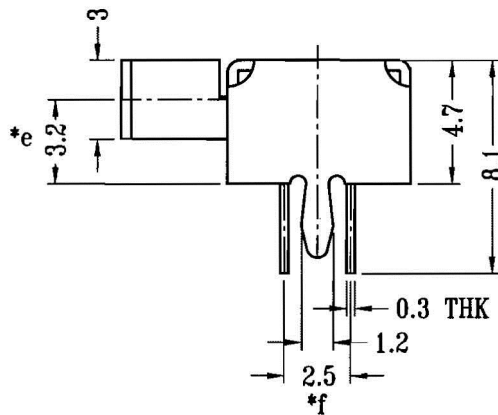
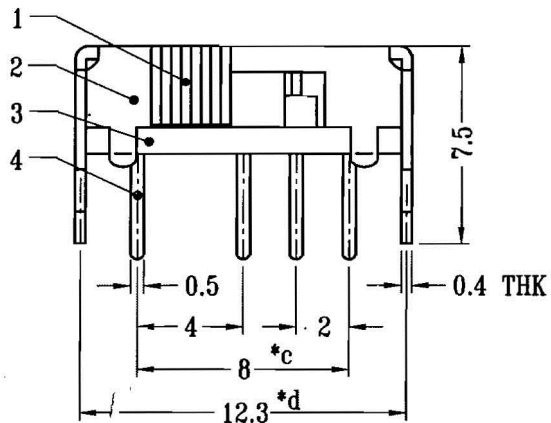
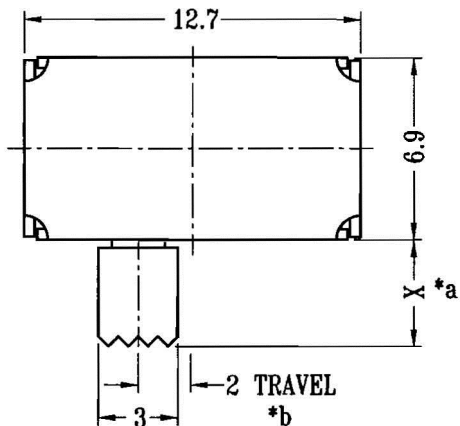
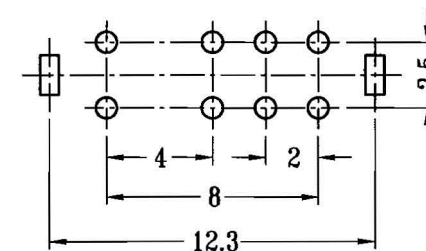


CAD FILE:



SCHEMATIC (SHORTING)



P.C.B LAYOUT
BOTTOM VIEW

注：“*”表示关键尺寸(6个)

NO.	PARTS	MATERIALS	Q'TY	FINISH	TOLERANCE UNLESS SPECIFIED			DESCRIPTIONS OF REVISION		APPD.	
8					WITHIN 1.5mm : ±0.1mm	A	24-Sep-2008	初版			
7					OVER 1.5mm : ±0.2mm	ISSUE	DATE				
6	SPRING PLATE	SUS	1	NATURAL	TITLE : HORIZONTAL SLIDE SWITCH MODEL: SK-23D07			UNIT : mm	DRWG NO.:		
5	CONTACT CLIP	PBS C5210R-EH	2	Ag CLAD				SCALE: 7:2	DWN.		
4	TERMINAL	BRASS STRIP	8	Ag PLATED OVER Ni PLATED				CHK'D			
3	BASE	PHENOLIC RESIN	1	NATURAL				APPD.			
2	FRAME	STEEL STRIP	1	Ni PLATED							
1	KNOB	POM/NYLON+F.G+94V0	1	BLACK							