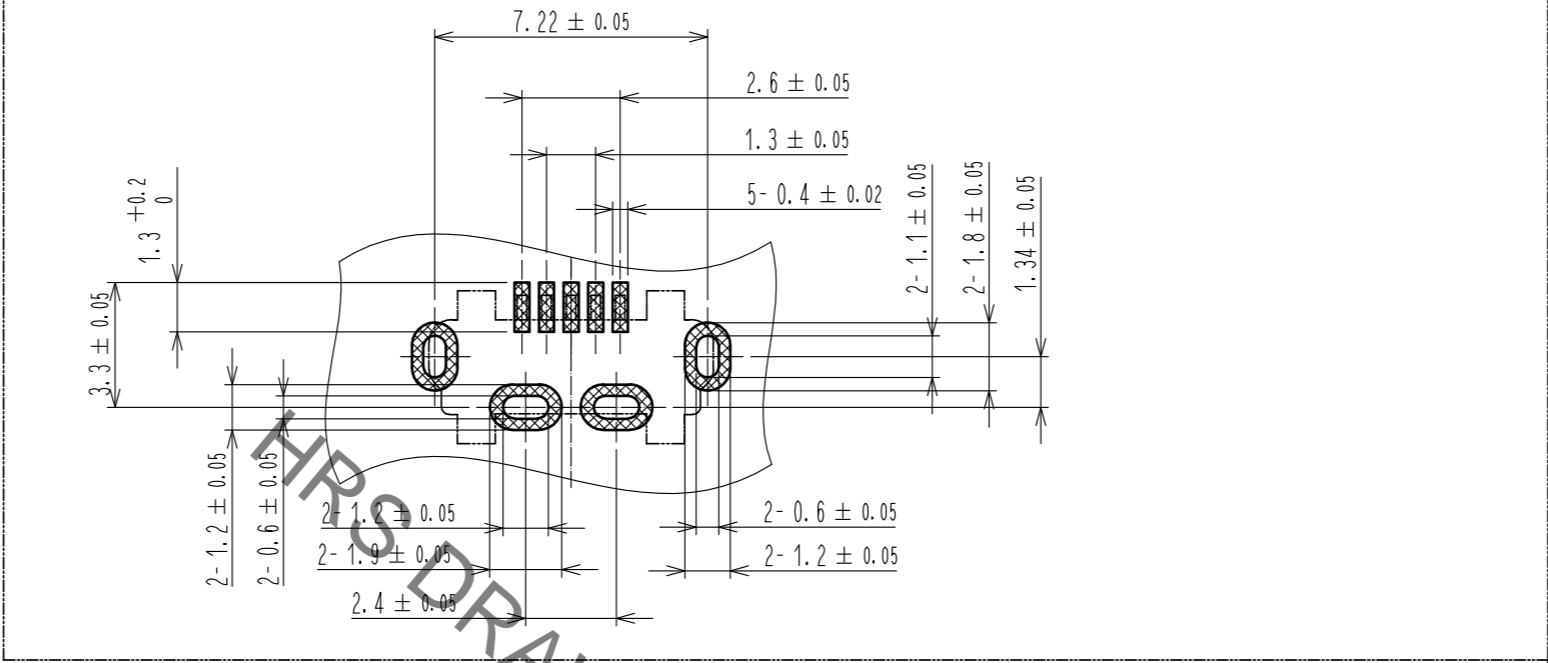
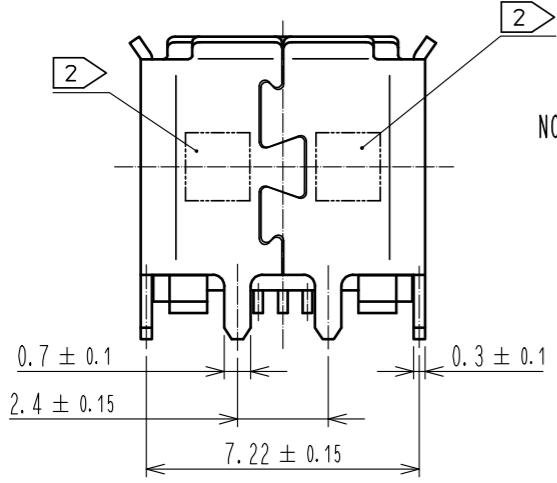
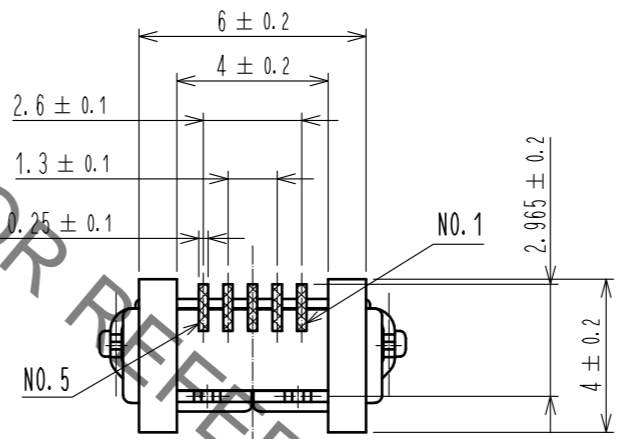
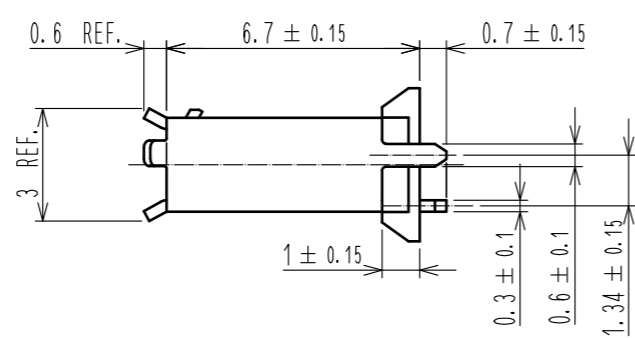
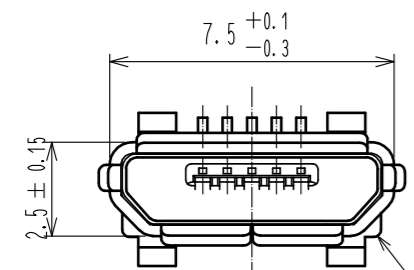
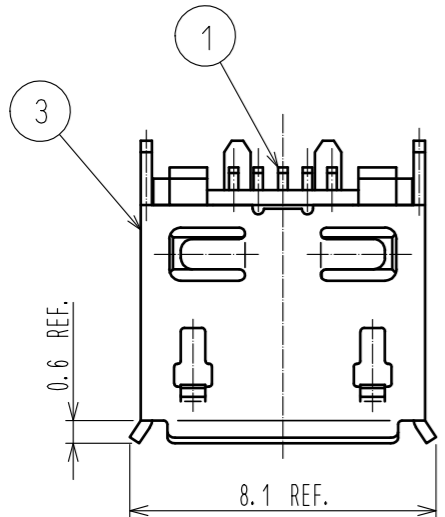
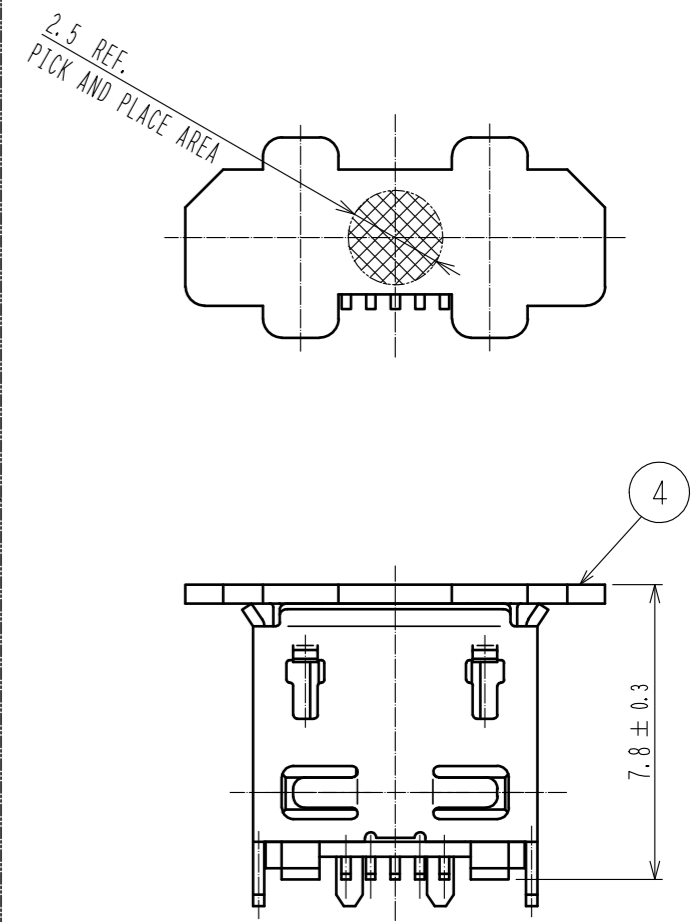


Feb.1.2020 Copyright 2020 HIROSE ELECTRIC CO., LTD. All Rights Reserved.  
 In case of consideration for using Automotive equipment / device which demand high reliability, kindly contact our sales window correspondents.

PCB LAYOUT



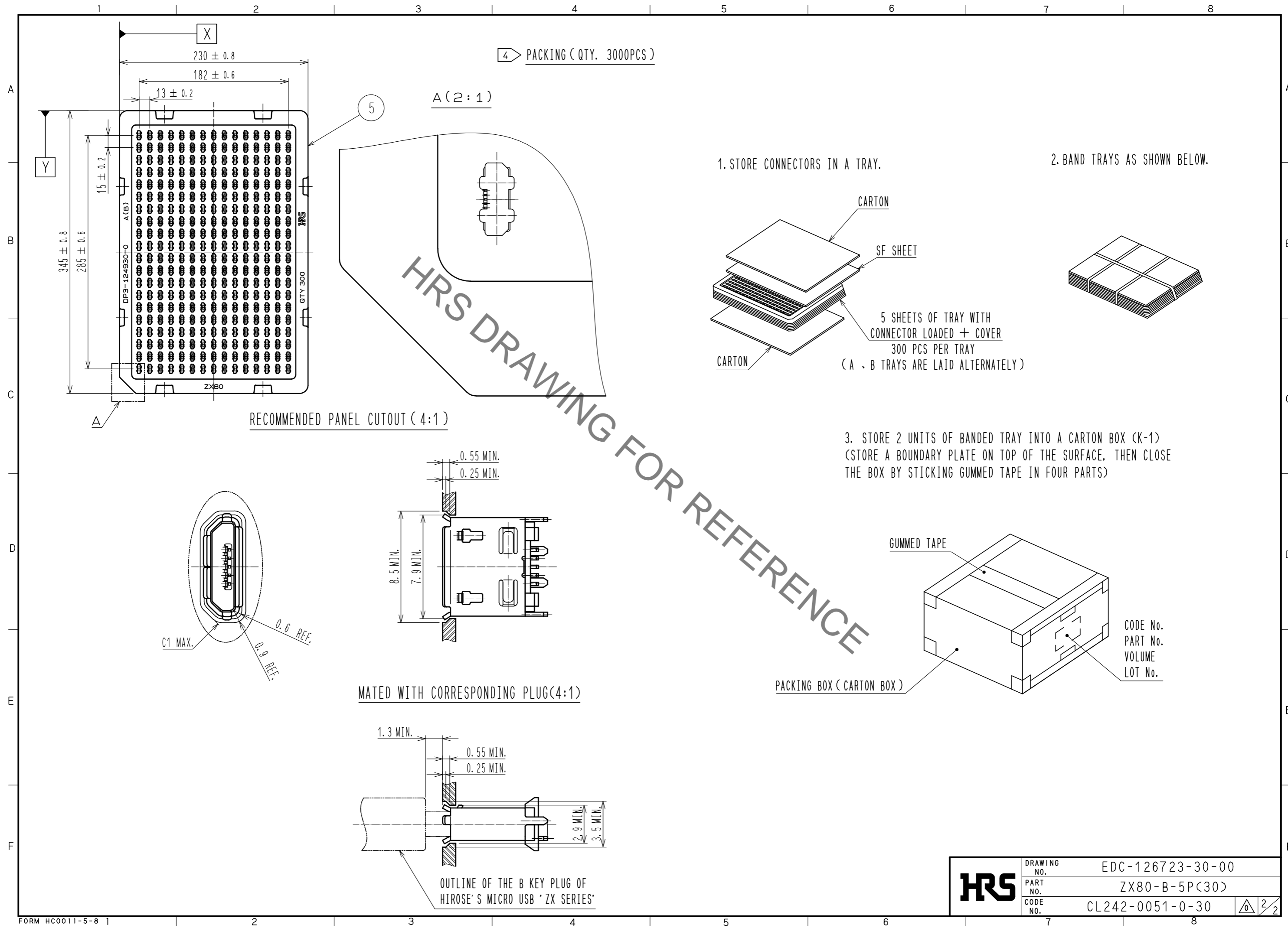
PICK AND PLACE CAP



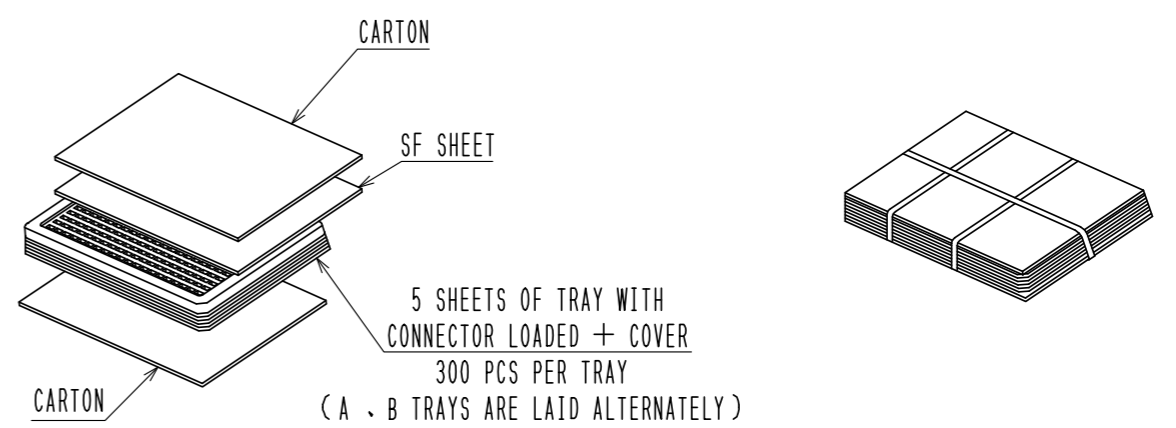
- NOTE
- 1 CO-PLANARITY IS WITHIN 0.08.
  - 2 LOT No. SHALL BE INDICATED AT THE POSITION AS SHOWN.
  - 3 PLATING  
 CONTACT AREA : GOLD PLATE 0.75 μm MIN.  
 LEAD AREA : GOLD PLATE 0.05 μm MIN.  
 UNDER PLATING : NICKEL 2 μm MIN.
  - 4 PACKING  
 300 PCS PER TRAY.
  - 5 AS FOR PART No. 3, THE PERFORMANCE REMAINS GOOD EVEN IF THERE IS A RUBBING WOUND BY THE ASSEMBLY PROCESS. AND THE PERFORMANCE REMAINS GOOD EVEN IF THERE IS A DIFFERENCE OF THE COLOR OF PLATING WITH THE MANUFACTURING LOT.

2	LCP	BLACK	UL94V-0	5	PS			
1	COPPER ALLOY	3		4	POLYAMIDE RESIN			
				3	STAINLESS STEEL	UNDER PLATING: NICKEL 0.2 μm MIN. OVER PLATING : TIN 1μm MIN. LUBRICANT		
NO.	MATERIAL	FINISH	REMARKS	NO.	MATERIAL	FINISH . REMARKS		
UNITS	mm	SCALE	5 : 1	COUNT	DESCRIPTION OF REVISIONS	DESIGNED	CHECKED	DATE
<b>HRS</b> HIROSE ELECTRIC CO., LTD.		APPROVED	: NM. NISHIMATSU	15.10.27	DRAWING NO. EDC-126723-30-00			
		CHECKED	: KN. ICHIKAWA	15.10.27	PART NO. ZX80-B-5P(30)			
		DESIGNED	: TS. ITO	15.10.27	CODE NO. CL242-0051-0-30			
		DRAWN	: AK. AKIYAMA	15.10.27	1/2			

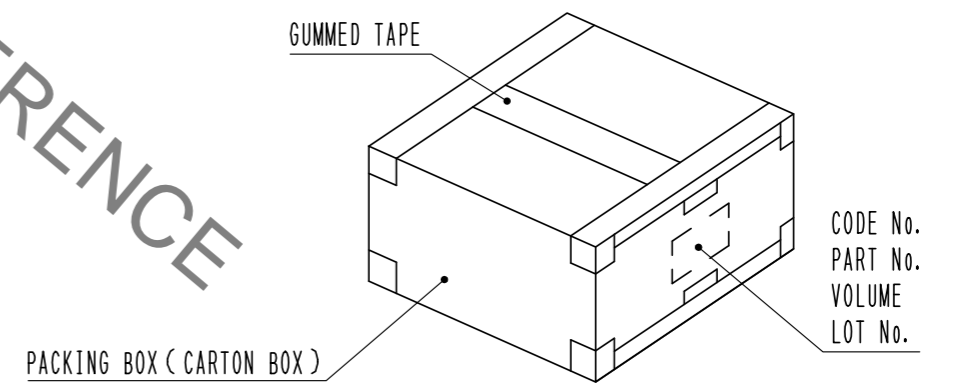
Feb.1.2020 Copyright 2020 HIROSE ELECTRIC CO., LTD. All Rights Reserved.  
 In case of consideration for using Automotive equipment / device which demand high reliability, kindly contact our sales window correspondents.



1. STORE CONNECTORS IN A TRAY.
2. BAND TRAYS AS SHOWN BELOW.



3. STORE 2 UNITS OF BANDED TRAY INTO A CARTON BOX (K-1)  
 (STORE A BOUNDARY PLATE ON TOP OF THE SURFACE, THEN CLOSE THE BOX BY STICKING GUMMED TAPE IN FOUR PARTS)



<b>HRS</b>	DRAWING NO.	EDC-126723-30-00	2/2
	PART NO.	ZX80-B-5P(30)	
	CODE NO.	CL242-0051-0-30	