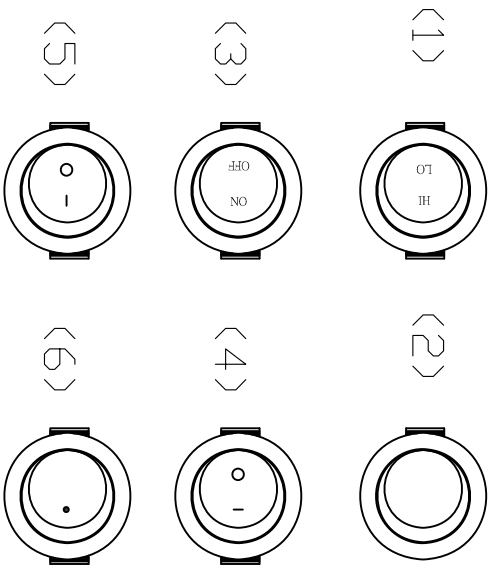
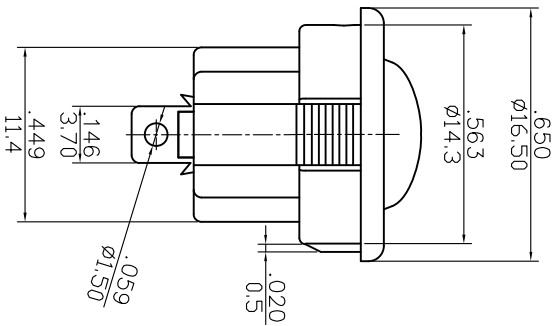
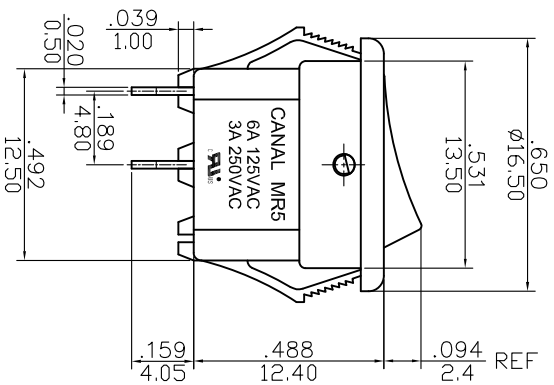
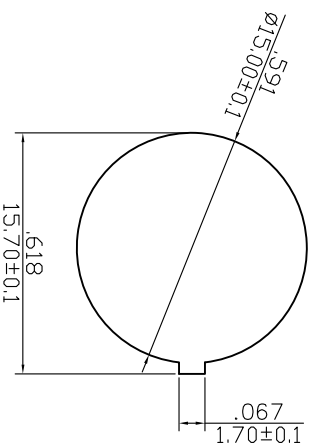


ROCKER SWITCH MODEL MR5 SERIES
 RATING: 3A 250VAC (UL, CUL)
 6A 125VAC (UL, CUL)
 3A 250VAC~4/1100 (VDE)
 DIELECTRIC VOLTAGE-WITHSTAND: 1,000VAC FOR 1 MINUTE
 INSULATION RESISTANCE: DC 500V 100MΩ (MIN.)
 CONTACT RESISTANCE: 20mΩ INITIAL (MAX.)
 OPERATION: 400±100 GRAM.



SCALE:1:1



PANEL CUTOUT DIMENSION

NOTE: 1. TOLERANCES UNLESS OTHERWISE SPECIFIED: $\pm \frac{0.02}{0.3}$ (in/mm)
 2. IT IS IN ACCORD WITH CANAL SPECIFICATION: WI-QA-24

| REVISION | DESCRIPTION | REVISED BY | TOLERANCES | ANGLE | UNIT | PART NAME | MR5 SPEC DRAWING | DWG NO |
|----------|-------------|------------|------------|-------|-------------|-----------|------------------|------------|
| △ | | | .XX ± | 1/2° | mm | | | |
| △ | | | DRAWN BY | 蔡劍 | DESIGNED BY | 蔡劍 | SCALE | 2/1 |
| △ | | | CHECKED BY | 蔡劍 | APPROVED BY | 蔡劍 | DATE | P005.08.08 |
| △ | | | | | | PART NO | MR5-110-R*N-**** | S0988A |
| △ | 2005.10.27 | 首次出圖. | | | | | | |