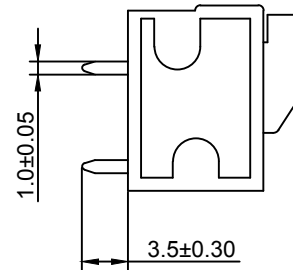
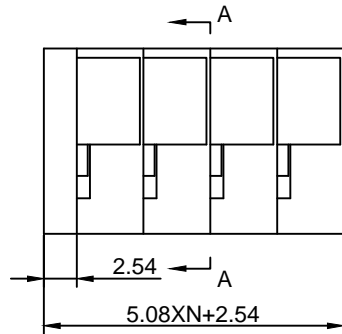
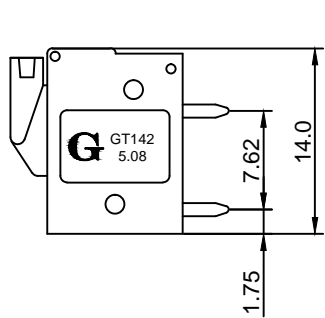


Material :

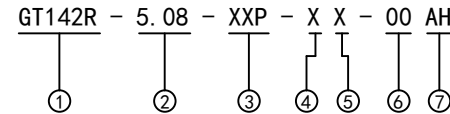
- Ⓐ Housing : PA66(UL94V-0)
- Ⓑ Button : PA66(UL94V-0)
- Ⓒ Wire Guard : Stainless Bronze
- Ⓓ Pin Header : Brass ; Tin Plated

Electrical :

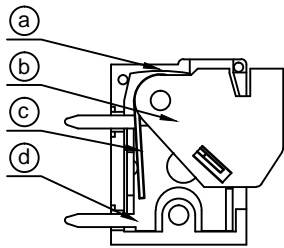
- | | | |
|-----------------------------|---------------|------------------------|
| | UL | IEC |
| 1.Rated Voltage : | 300V | 250V |
| 2.Rated Current : | 10A | 15A |
| 3.Wire Range: | 22-16AWG | 0.2-1.5mm ² |
| 4.Stripping Length : | 11mm | |
| 5.Withstanding Voltage : | AC2000V/1Min. | |
| 6.Operating Temperature : | -40°C~+105°C | |
| 7.RoHS Compliance | | |
| 8.Safety Approval : | cULus | |
| 9.Undimensioned Tolerances: | | |



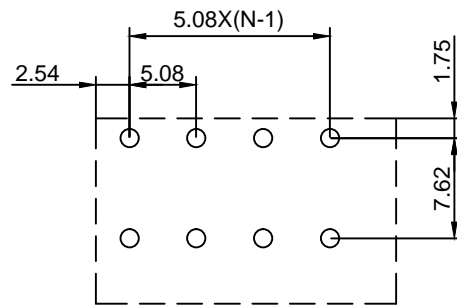
Pitch Range In mm		Nominal Dimension Range In mm						—	∩	∇
≤6	6 ~ 10	≤30	30 ~ 60	60 ~ 100	100 ~ 150	>150	0.05/10			
±0.10	±0.15	±0.25	±0.20	±0.30	±0.50	±0.70	±1.00	±0.1°		



- ① Series No.
- ② Pitch
- ③ Poles
02 02Contacts
03 03Contacts
...
XX XXContacts
- ④ 1 Single Pitch
2 Double Pitch
- ⑤ Color: 1 Grey
2 Blue
3 Black
4 Green(Standard For AH)
5 Orange
6 Red
7 Transparent
8 Yellow
9 White
- ⑥ Customer Request : 00--Standard
- ⑦ AH--Standard(PA66)



A-A



DETACHED LISTS	Grolten NINGBO GOLTEN ELECTRONICS CO., LTD.		宁波冠泰电子有限公司		
	APPD: MA_6/13/17'	PART NO.	GT142R-5.08-XXP-XX-00AH		
	CHKD: Yu_6/12/17'				
	DRFT: Chen_6/11/17'	DRAWING NO.	REV	1	
 THIRD ANGLE PROJECTION		MM (INCH)	DO NOT SCALE DRAWING	SHEET	1/1
		SCALE	1/1		