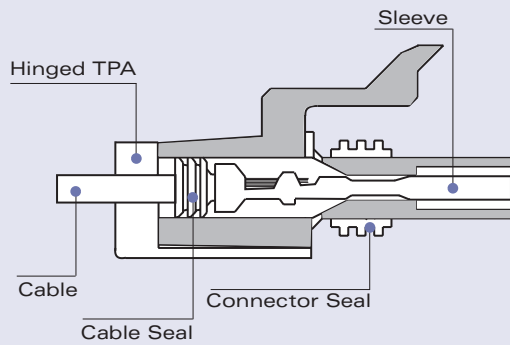
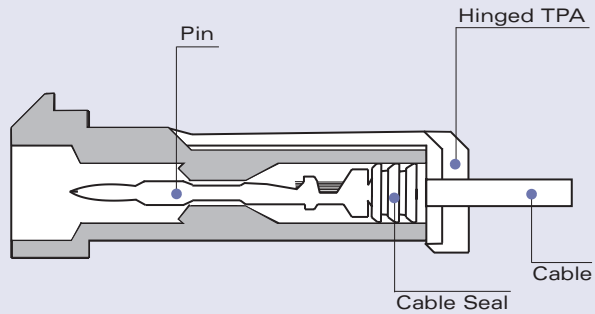


## Cross Sectional View



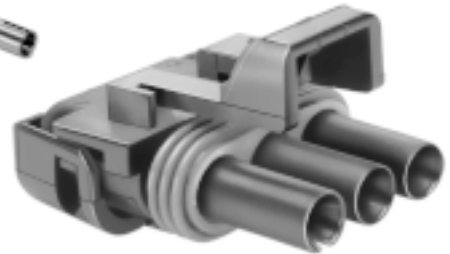
**Female Connector Assembly**



**Male Connector**



Female Terminal  
(Sleeve)



Female Connector Assembly

### WEATHER-PACK FEMALE TERMINALS (SLEEVE) SEALED\*

Sleeve Part #	Cable Range (mm <sup>2</sup> )	Material	Plating
12124581	3.0	Tin Brass	Tin
12124580	2.0-1.0	Tin Brass	Tin
15408312	0.80-0.50	Tin Brass	Tin
12020801	0.35	Tin Brass	Tin

\*Use of the Weather-Pack 6060 gage as a process control aid is recommended for Weather-Pack terminals. See page 327 in the Application Tooling section for details.



### WEATHER-PACK CABLE SEALS

Reel Part #	Loose Part #	Cable Diameter	Material	Color
12015360	12015193	4.30-3.45	Silicone	Blue
12015359	12010293	3.49-2.81	Silicone	Lt. Gray
12015284	12015323	2.85-2.03	Silicone	Green
12041352	12041351	2.42-2.03	Silicone	Tan
12089444	12089679	2.15-1.60	Silicone	Purple
12034365	12015899	1.70-1.29	Silicone	Dk. Red

### WEATHER-PACK FEMALE CONNECTOR ASSEMBLIES SEALED

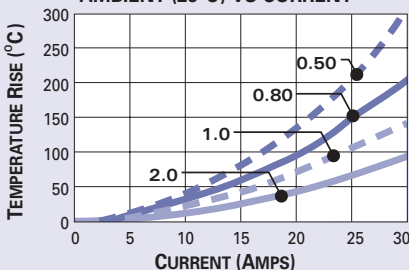
# Cavities	Connector Assembly	Color	Material
1	12015791	Black	PA6
2	12015792	Black	PA6
3	12020829	Black	PA6
4	12015798	Black	PA6
4	12020832	Black	PA6
6	12020926	Black	PA6
22	12020991	Black	PA6

## Sealed System Application Information

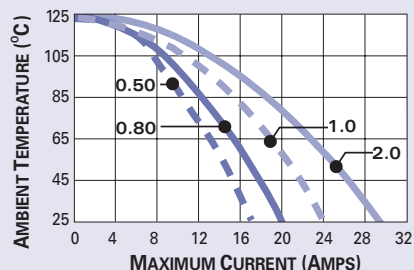
**CABLE RANGE (mm<sup>2</sup>):** ..... 0.35-3.0  
**CURRENT RANGE (AMPS):** ..... 0-20  
**TEMP RANGE °C:** ..... -40 to 125  
**RESISTANCE:** ..... <10mΩ@20mV  
**VOLTAGE DROP:** ..... <3.0mV/amp  
**CENTERLINE SPACING (mm):** ..... 7.7  
**BLADE WIDTH (mm):** ... Pin and Sleeve

### WEATHER-PACK TERMINALS-Tin Plated

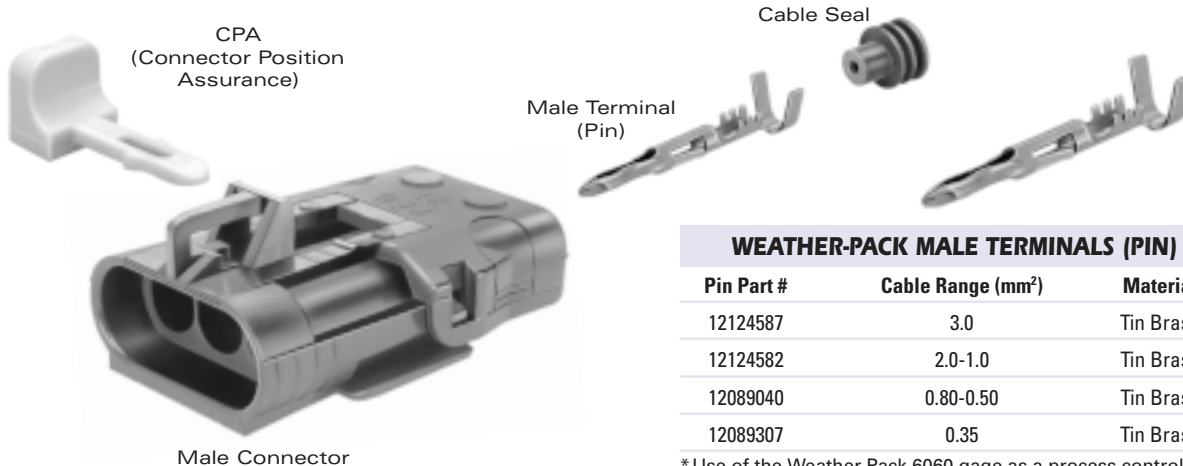
**TEMPERATURE RISE ABOVE AMBIENT (25°C) VS CURRENT\***



**TEMPERATURE DERATING CURVES\***



\*The test data are based on single circuits in free space and were generated using a "Lumped Resistance" model. This model does not account for all of the variables that would be present in an actual application. For actual product performance, contact your regional support representative at the number listed below.



#### WEATHER-PACK MALE TERMINALS (PIN) SEALED\*

Pin Part #	Cable Range (mm <sup>2</sup> )	Material	Plating
12124587	3.0	Tin Brass	Tin
12124582	2.0-1.0	Tin Brass	Tin
12089040	0.80-0.50	Tin Brass	Tin
12089307	0.35	Tin Brass	Tin

\*Use of the Weather-Pack 6060 gage as a process control aid is recommended for Weather-Pack terminals. See page 327 in the Application Tooling section for details.



#### WEATHER-PACK MALE CONNECTORS SEALED

# Cavities	Connector	Color	Material
1	12010996	Black	PA66 HS IM
2	12010973	Black	PA6
3	12020827	Black	PA6
4	12015024	Black	PA6
4	12020830	Black	PA6
6	12020786	Black	PA6
22	12020005	Black	PA6

#### WEATHER-PACK CAVITY PLUG\*

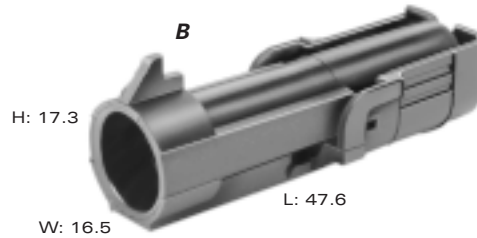
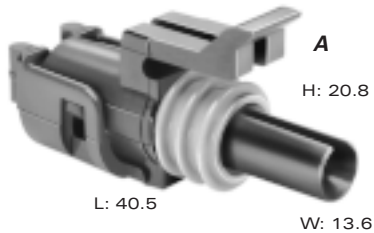
Part #	Cavity Inside Diameter	Material	Color
12010300	6.7mm	Silicone	Green

\*Cavity plugs seal unused female and male cavities.

#### SECTION NOTES:

- Contact your regional support representative at the number listed below.
- Due to rigid tolerances of connector cavities, it is critical to meet all crimp dimensions as specified.
- Different color and connector indexing features are also available.

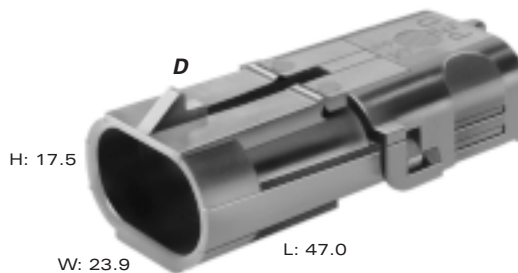
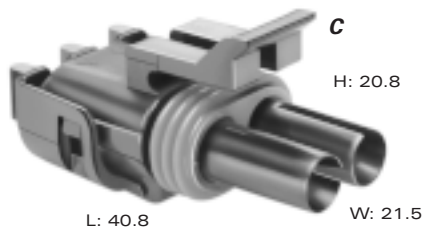
An environmentally sealed connection system that utilizes triple-rib peripheral silicone rubber seals and individual towers to provide terminal isolation for connector alignment. Weather-Pack sealed systems are ideally suited for critical applications that require protection from environmental hazards.



Total Mated Length: 64.5mm

**A** PART NO: **12015791**  
DESCRIPTION: Connector Assembly 1F  
SIZE: 40.5L x 20.8H x 13.6W  
COLOR: Black  
MATERIAL: PA6  
TERMINALS: See Page 242  
SEALS/PLUGS: See Page 242, 243

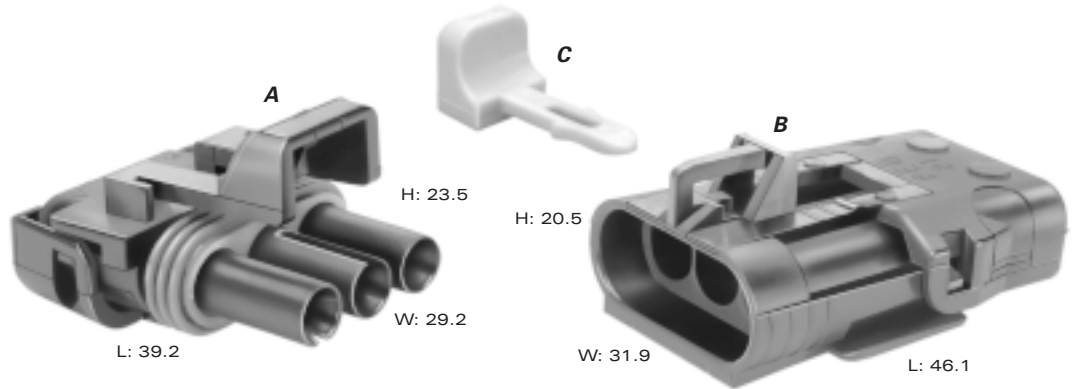
**B** PART NO: **12010996**  
DESCRIPTION: Connector 1M  
SIZE: 47.6L x 17.3H x 16.5W  
COLOR: Black  
MATERIAL: PA66 HS IM  
TERMINALS: See Page 243  
SEALS/PLUGS: See Page 242, 243



Total Mated Length: 68.3mm

**C** PART NO: **12015792 (Black)**  
**12103784 (Gray)**  
DESCRIPTION: Connector Assembly 2F  
SIZE: 40.8L x 20.8H x 21.5W  
MATERIAL: PA6  
TERMINALS: See Page 242  
SEALS/PLUGS: See Page 242, 243

**D** PART NO: **12010973 (Black)**  
**12034074 (Gray)**  
DESCRIPTION: Connector 2M (Clip Slot)  
SIZE: 47.0L x 17.5H x 23.9W  
MATERIAL: PA6  
TERMINALS: See Page 243  
SEALS/PLUGS: See Page 242, 243

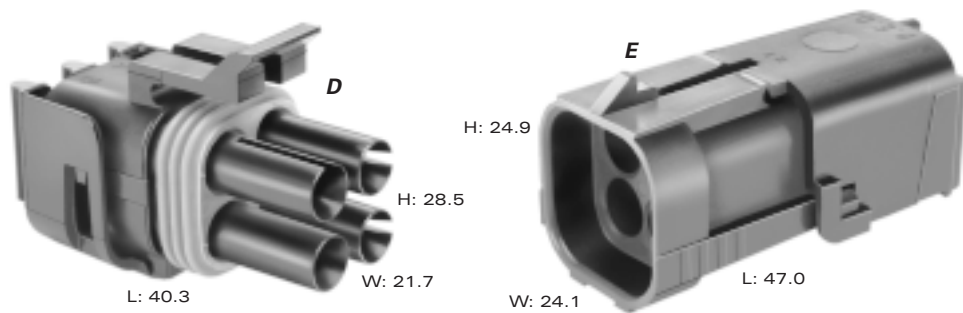


Total Mated Length: 65.8mm

**A PART NO: 12020829**  
 DESCRIPTION: Connector Assembly 3F  
 SIZE: 39.2L x 23.5H x 29.2W  
 COLOR: Black  
 MATERIAL: PA6  
 TERMINALS: See Page 242  
 SEALS/PLUGS: See Page 242, 243

**B PART NO: 12020827**  
 DESCRIPTION: Connector 3M (Clip Slot)  
 SIZE: 46.1L x 20.5H x 31.9W  
 COLOR: Black  
 MATERIAL: PA6  
 TERMINALS: See Page 243  
 SEALS/PLUGS: See Page 242, 243

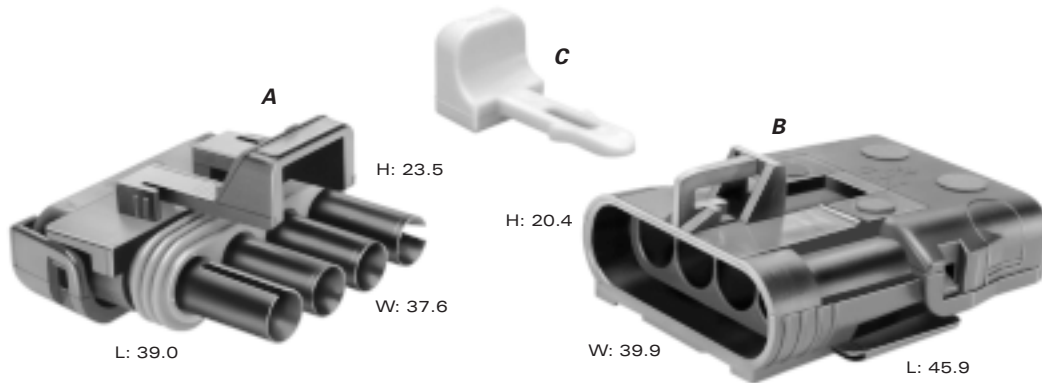
**C PART NO: 12020833**  
 DESCRIPTION: CPA  
 COLOR: Gray  
 MATERIAL: PBT



Total Mated Length: 68.3mm

**D PART NO: 12015798**  
 DESCRIPTION: Connector Assembly 4F  
 SIZE: 40.3L x 28.5H x 21.7W  
 COLOR: Black  
 MATERIAL: PA6  
 TERMINALS: See Page 242  
 SEALS/PLUGS: See Page 242, 243

**E PART NO: 12015024**  
 DESCRIPTION: Connector 4M (Clip Slot)  
 SIZE: 47.0L x 24.9H x 24.1W  
 COLOR: Black  
 MATERIAL: PA6  
 TERMINALS: See Page 243  
 SEALS/PLUGS: See Page 242, 243

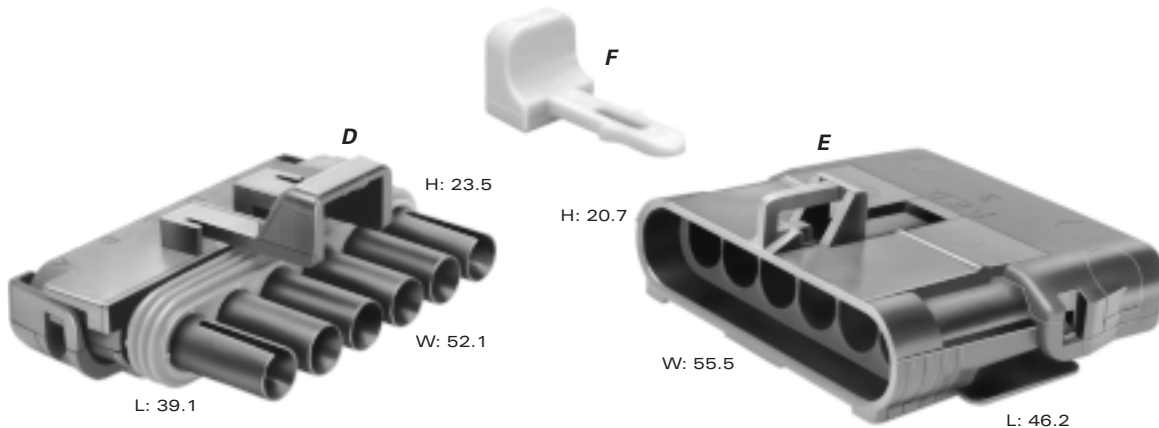


Total Mated Length: 65.8mm

**A PART NO: 12020832**  
 DESCRIPTION: Connector Assembly 4F  
 SIZE: 39.0L x 23.5H x 37.6W  
 COLOR: Black  
 MATERIAL: PA6  
 TERMINALS: See Page 242  
 SEALS/PLUGS: See Page 242, 243

**B PART NO: 12020830**  
 DESCRIPTION: Connector 4M (Clip Slot)  
 SIZE: 45.9L x 20.4H x 39.9W  
 COLOR: Black  
 MATERIAL: PA6  
 TERMINALS: See Page 243  
 SEALS/PLUGS: See Page 242, 243

**C PART NO: 12020833**  
 DESCRIPTION: CPA  
 COLOR: Gray  
 MATERIAL: PBT



Total Mated Length: 66.4mm

**D PART NO: 12020926**  
 DESCRIPTION: Connector Assembly 6F  
 SIZE: 39.1L x 23.5H x 52.1W  
 COLOR: Black  
 MATERIAL: PA6  
 TERMINALS: See Page 242  
 SEALS/PLUGS: See Page 242, 243

**E PART NO: 12020786**  
 DESCRIPTION: Connector 6M (Clip Slot)  
 SIZE: 46.2L x 20.7H x 55.5W  
 COLOR: Black  
 MATERIAL: PA6  
 TERMINALS: See Page 243  
 SEALS/PLUGS: See Page 242, 243

**F PART NO: 12020833**  
 DESCRIPTION: CPA  
 COLOR: Gray  
 MATERIAL: PBT