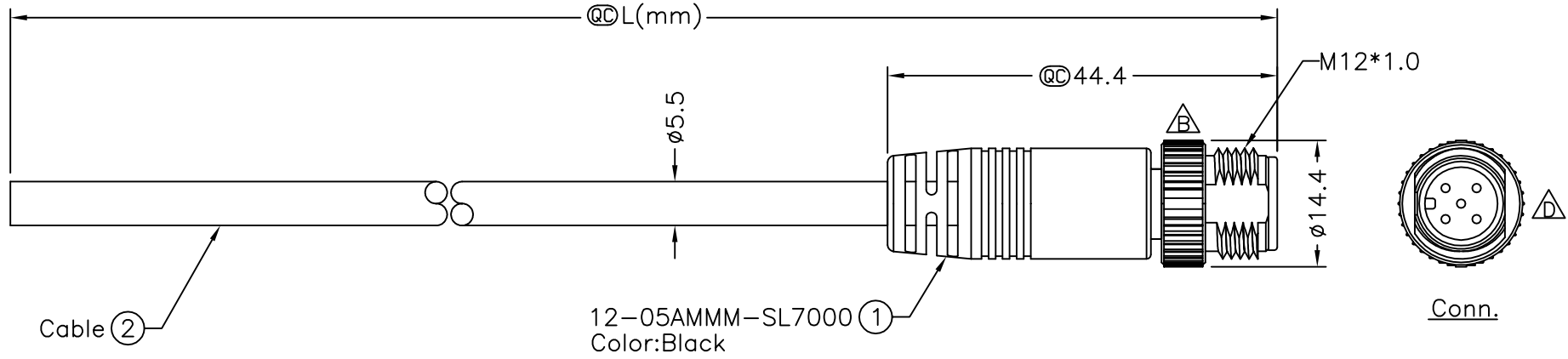


REV.	ECN NO.	DATE	SIGN	DESCRIPTION
B	LE3-680172~175	2006/06/20	J.Espiritu	Change Nut BAB0048N100 To BEA00010019.
C	LEN-780102	2007/05/03	J.Espiritu	Change Pin-Out And Adapt New Format.
D	LEN-931071~1074	2009/01/15	Prune	Update the drawing.

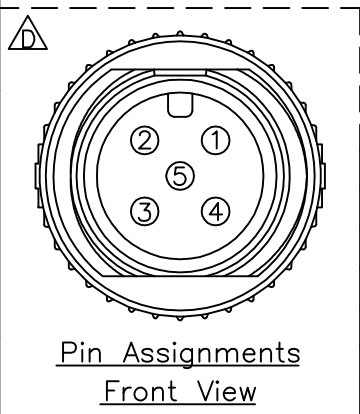


ALTW
DCC. DEPT.
CONFIDENTIAL
2009.03.31
ISSUED

ALTW
CONFIDENTIAL
2009.01.14
R&D DEPT.

12-05AMMM-SL7AXX
 XX:01~99Meters
 01:01Meter
 02:02Meters
 :
 :
 99:99Meters
 Cable Length(L):01~99Meters

- Notes:
- * @C Important Dimension.
 - * Waterproof Rate:IP67.
 - * Connector:Black,PU.
 - * Male Pin:Copper Alloy,Gold Plated.
 - * Cable:UL2464 22AWG*5C+Talcum,Black, PVC Jacket,UV Resistant,OD=5.5mm.
 - * Cable Length Tolerance: 01M:±40mm
02M~05M:±60mm
06M~10M:±100mm
11M~30M:±200mm
31M~99M:±500mm



5	Green	綠
4	Black	黑
3	Blue	藍
2	White	白
1	Brown	棕
Conn.	Wire Color	
	Pin Out	

UNIT:mm
 TOLERANCE
 ±0.5 mm

TITLE
 M12 Conn
 Cable Screw 5P M Conn M Pin
 SCALE Free
 SHEET 1 OF 1
 REV. D SIZE A4 @C :Inspection Item

Amphenol LTW
 安費諾亮泰企業股份有限公司

ITEM NO	DRAWN BY Prune	DATE 2009/01/15
DWG NO 12-05AMMM-SL7AXX	CHECKED BY Tina	DATE 2009/01/16
CUSTOMER ALTW	APPROVED BY Luke	DATE 2009/03/25

THIS DOCUMENT IS SUBJECT TO CHANGE WITHOUT NOTICE. IT IS CONFIDENTIAL AND A PROPERTY OF Amphenol LTW. DISCLOSURE TO THIRD PARTY HAS TO BE AUTHORIZED BY Amphenol LTW.