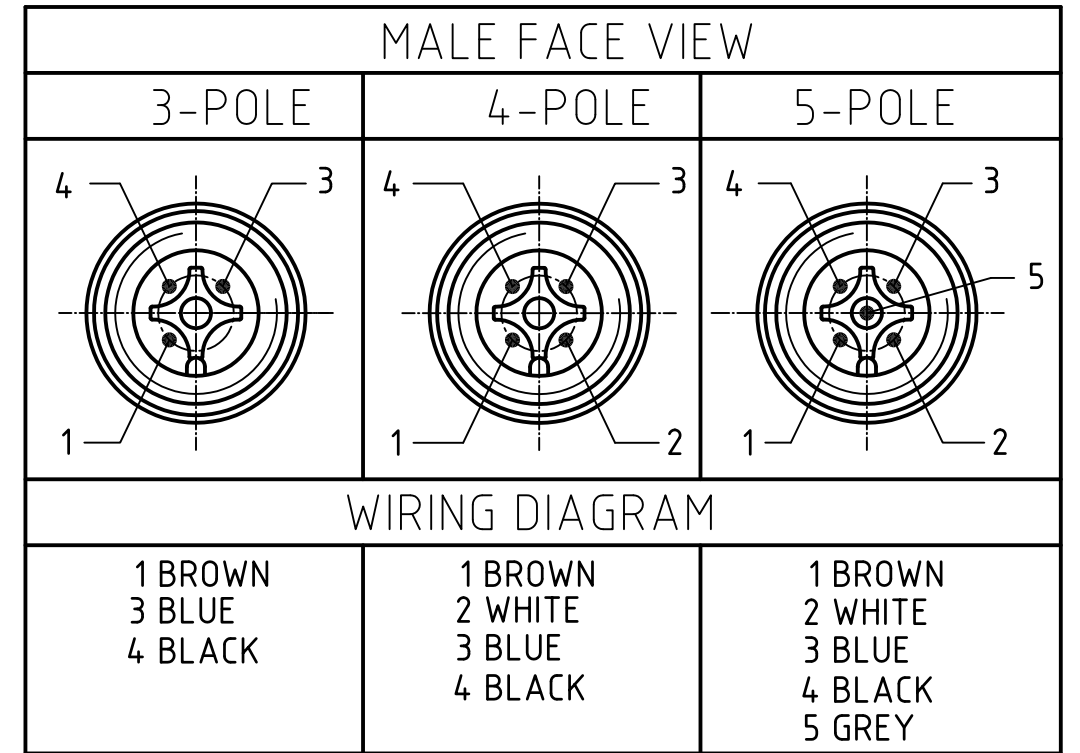


CONNECTOR SPECIFICATION:

VOLTAGE RATING	250 VAC/VDC
AMPERAGE RATING	max. 4 AMPS
PROTECTION	IP67
OPERATING TEMPERATURE	-30°C TO 80°C
UL CERTIFICATIONS	UL STYLE 2464
CSA CERTIFICATIONS	I/II A/B 80°/300V

ITEM	COMPONENT	MATERIAL	FINISH
5	COUPLER	BRASS	NICKEL PLATED
4	PIN CONTACT	COPPER ALLOY	GOLD OVER NICKEL
3	INSERT	NYLON	BLACK
2	OVERMOLD	POLYURETHANE (PUR)	YELLOW
1	CABLE- 22/3-5 (COPPER STRANDING) 3/4/5 CONDUCT. 300V	JACKET: PVC	JACKET: BLACK



DESCRIPTION EC NO: WEU2010-0283 DRWN: LSTEMMLE 2010/01/20 CHKD: NS APPR: NSTAUDIG 2010/01/26	QUALITY SYMBOLS ▽ = 0 ▽/C = 0	GENERAL TOLERANCES (UNLESS SPECIFIED)		DIMENSION STYLE MM	SCALE 2:1	DESIGN UNITS METRIC	THIRD ANGLE PROJECTION
		4 PLACES ±--- ±--- 3 PLACES ±--- ±--- 2 PLACES ±--- ±.01 1 PLACE ±0.3 ±--- ANGULAR ± --- °	DRAWN BY DATE	MICRO-CHANGE CORDSET 3/4/5-POL MALS STR SE 22/3-5 PVC BLACK CABLE			
		DRAFT WHERE APPLICABLE MUST REMAIN WITHIN DIMENSIONS	CHECKED BY DATE 2010/01/21	MOLEX INCORPORATED			
		SEE TABLE SHEET 2	APPROVED BY DATE NSTAUDIG 2010/01/25	MATERIAL NO. SD-120065-040	SHEET NO. 1 OF 1		

10 9 8 7 6 5 4 3 2 1

POL	MATERIAL NUMBER	ENGINEERING NUMBER	FINISHED LENGTH
3	1200060240	803006E03M020	6.56' +3.5" -0 [2.0M +89 -0]

POL	MATERIAL NUMBER	ENGINEERING NUMBER	FINISHED LENGTH
4	1200060560	804006E03M020	6.56' +3.5" -0 [2.0M +89 -0]

POL	MATERIAL NUMBER	ENGINEERING NUMBER	FINISHED LENGTH
5	1200060667	805006E03M020	6.56' +3.5" -0 [2.0M +89 -0]

DESCRIPTION EC NO: WEU2010-0283 DRWN: LSTEMMLE 2010/01/20 CH'KD: NS APPR: NSTAUDIG 2010/01/26	QUALITY SYMBOLS	GENERAL TOLERANCES (UNLESS SPECIFIED)		DIMENSION STYLE		SCALE	DESIGN UNITS	THIRD ANGLE PROJECTION	
	▼ = 0 ▽ = 0	mm	INCH	MM		2:1	METRIC		
	1 REV	4 PLACES	±---	±---	DRAWN BY	DATE	MICRO-CHANGE CORDSET 3/4/5-POL MALS STR SE 22/3-5 PVC BLACK CABLE		
		3 PLACES	±---	±---	CHECKED BY	DATE			
		2 PLACES	±---	±.01	RE	2010/01/21			
	1 PLACE	±0.3	±---	APPROVED BY	DATE	MOLEX INCORPORATED			
	ANGULAR ± --- °		NSTAUDIG	2010/01/25					
	DRAFT WHERE APPLICABLE MUST REMAIN WITHIN DIMENSIONS		SEE TABLE		MATERIAL NO.	DOCUMENT NO.	SHEET NO.		
			SIZE A3		THIS DRAWING CONTAINS INFORMATION THAT IS PROPRIETARY TO MOLEX INCORPORATED AND SHOULD NOT BE USED WITHOUT WRITTEN PERMISSION				

10 9 8 7 6 5 4 3 2 1