

SMS05C, SMS12C, SMS15C, SMS24C

ESD Protection Diode Array, 5-Line

This 5-line surge protection array is designed for application requiring transient voltage protection capability. It is intended for use in over-transient voltage and ESD sensitive equipment such as computers, printers, automotive electronics, networking communication and other applications. This device features a monolithic common anode design which protects five independent lines in a single TSOP-6 package.

Features

- Protects up to 5 Lines in a Single TSOP-6 Package
- Peak Power Dissipation – 350 W (8 × 20 μs Waveform)
- ESD Rating of Class 3B (Exceeding 8.0 kV) per Human Body Model and Class C (Exceeding 400 V) per Machine Model
- Compliance with IEC 61000-4-2 (ESD) 15 kV (Air), 8.0 kV (Contact)
- Flammability Rating of UL 94 V-0
- These are Pb-Free Devices

Applications

- Hand-Held Portable Applications
- Networking and Telecom
- Automotive Electronics
- Serial and Parallel Ports
- Notebooks, Desktops, Servers

MAXIMUM RATINGS (T_J = 25°C unless otherwise specified)

| Symbol | Rating | Value | Unit |
|-------------------|--|----------------------------------|------|
| P _{PK} 1 | Peak Power Dissipation 8 × 20 μs Double Exponential Waveform (Note 1) | 350 | W |
| T _J | Operating Junction Temperature Range | -40 to 150 | °C |
| T _{STG} | Storage Temperature Range | -55 to 150 | °C |
| T _L | Lead Solder Temperature (10 s) | 260 | °C |
| ESD | Human Body Model (HBM) Machine Model (MM) IEC 61000-4-2 Air (ESD) IEC 61000-4-2 Contact (ESD) | >8000 >400 >15000 >8000 | V |

Stresses exceeding those listed in the Maximum Ratings table may damage the device. If any of these limits are exceeded, device functionality should not be assumed, damage may occur and reliability may be affected.

1. Non-repetitive current pulse per Figure 3.

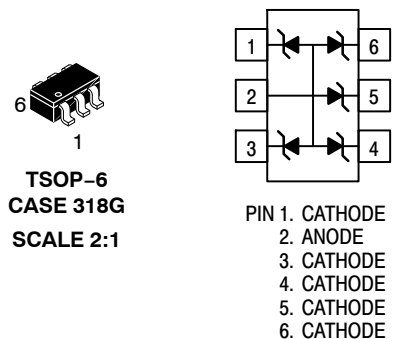


ON Semiconductor®

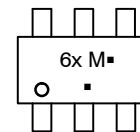
www.onsemi.com

TSOP-6 FIVE SURGE PROTECTION 350 W PEAK POWER

PIN ASSIGNMENT



MARKING DIAGRAM



- x = SMS05C:J
- = SMS12C:K
- = SMS15C:L
- = SMS24C:M
- M = Date Code
- = Pb-Free Package

(Note: Microdot may be in either location)

ORDERING INFORMATION

| Device | Package | Shipping† |
|-----------|---------------------|------------------|
| SMS05CT1G | TSOP-6 (Pb-Free) | 3000/Tape & Reel |
| SMS12CT1G | | |
| SMS15CT1G | | |
| SMS24CT1G | | |

†For information on tape and reel specifications, including part orientation and tape sizes, please refer to our Tape and Reel Packaging Specification Brochure, BRD8011/D.

SMS05C, SMS12C, SMS15C, SMS24C

SMS05C ELECTRICAL CHARACTERISTICS ($T_J = 25^\circ\text{C}$ unless otherwise specified)

| Parameter | Symbol | Conditions | Min | Typ | Max | Unit |
|----------------------------|-----------|--|-----|-----|------|---------------|
| Reverse Working Voltage | V_{RWM} | (Note 2) | | | 5.0 | V |
| Breakdown Voltage | V_{BR} | $I_T = 1.0 \text{ mA}$ (Note 3) | 6.2 | | 7.2 | V |
| Reverse Leakage Current | I_R | $V_{RWM} = 5.0 \text{ V}$ | | | 5.0 | μA |
| Clamping Voltage | V_C | $I_{PP} = 5.0 \text{ A}$ ($8 \times 20 \mu\text{s}$ Waveform) | | | 9.8 | V |
| Clamping Voltage | V_C | $I_{PP} = 24 \text{ A}$ ($8 \times 20 \mu\text{s}$ Waveform) | | | 14.5 | V |
| Maximum Peak Pulse Current | I_{PP} | $8 \times 20 \mu\text{s}$ Waveform | | | 24 | A |
| Capacitance | C_J | $V_R = 0 \text{ V}$, $f = 1.0 \text{ MHz}$ (Line to GND) | | 260 | 400 | pF |

SMS12C ELECTRICAL CHARACTERISTICS ($T_J = 25^\circ\text{C}$ unless otherwise specified)

| Parameter | Symbol | Conditions | Min | Typ | Max | Unit |
|----------------------------|-----------|--|------|-------|-----|---------------|
| Reverse Working Voltage | V_{RWM} | (Note 2) | | | 12 | V |
| Breakdown Voltage | V_{BR} | $I_T = 1.0 \text{ mA}$ (Note 3) | 13.3 | | 15 | V |
| Reverse Leakage Current | I_R | $V_{RWM} = 12 \text{ V}$ | | 0.001 | 1.0 | μA |
| Clamping Voltage | V_C | $I_{PP} = 5.0 \text{ A}$ ($8 \times 20 \mu\text{s}$ Waveform) | | | 19 | V |
| Clamping Voltage | V_C | $I_{PP} = 15 \text{ A}$ ($8 \times 20 \mu\text{s}$ Waveform) | | | 23 | V |
| Maximum Peak Pulse Current | I_{PP} | $8 \times 20 \mu\text{s}$ Waveform | | | 15 | A |
| Capacitance | C_J | $V_R = 0 \text{ V}$, $f = 1.0 \text{ MHz}$ (Line to GND) | | 120 | 150 | pF |

SMS15C ELECTRICAL CHARACTERISTICS ($T_J = 25^\circ\text{C}$, unless otherwise specified) (See Note 4)

| Parameter | Symbol | Conditions | Min | Typ | Max | Unit |
|----------------------------|-----------|--|-----|------|-----|---------------|
| Reverse Working Voltage | V_{RWM} | (Note 2) | | | 15 | V |
| Breakdown Voltage | V_{BR} | $I_T = 1.0 \text{ mA}$ (Note 3) | 17 | | 19 | V |
| Reverse Leakage Current | I_R | $V_{RWM} = 15 \text{ V}$ | | 0.05 | 1.0 | μA |
| Clamping Voltage | V_C | $I_{PP} = 5.0 \text{ A}$ ($8 \times 20 \mu\text{s}$ Waveform) | | | 24 | V |
| Clamping Voltage | V_C | $I_{PP} = 12 \text{ A}$ ($8 \times 20 \mu\text{s}$ Waveform) | | | 29 | V |
| Maximum Peak Pulse Current | I_{PP} | $8 \times 20 \mu\text{s}$ Waveform | | | 12 | A |
| Capacitance | C_J | $V_R = 0 \text{ V}$, $f = 1.0 \text{ MHz}$ (Line to GND) | | 95 | 125 | pF |

SMS24C ELECTRICAL CHARACTERISTICS ($T_J = 25^\circ\text{C}$, unless otherwise specified)

| Parameter | Symbol | Conditions | Min | Typ | Max | Unit |
|----------------------------|-----------|--|------|-------|-----|---------------|
| Reverse Working Voltage | V_{RWM} | (Note 2) | | | 24 | V |
| Breakdown Voltage | V_{BR} | $I_T = 1.0 \text{ mA}$ (Note 3) | 26.7 | | 32 | V |
| Reverse Leakage Current | I_R | $V_{RWM} = 24 \text{ V}$ | | 0.001 | 1.0 | μA |
| Clamping Voltage | V_C | $I_{PP} = 5.0 \text{ A}$ ($8 \times 20 \mu\text{s}$ Waveform) | | | 40 | V |
| Clamping Voltage | V_C | $I_{PP} = 8 \text{ A}$ ($8 \times 20 \mu\text{s}$ Waveform) | | | 44 | V |
| Maximum Peak Pulse Current | I_{PP} | $8 \times 20 \mu\text{s}$ Waveform | | | 8.0 | A |
| Capacitance | C_J | $V_R = 0 \text{ V}$, $f = 1.0 \text{ MHz}$ (Line to GND) | | 60 | 75 | pF |

2. Surge protection devices are normally selected according to the working peak reverse voltage (V_{RWM}), which should be equal or greater than the DC or continuous peak operating voltage level.
3. V_{BR} is measured at pulse test current I_T .
4. Parametrics are the same for the Pb-Free packages, which are suffixed with a "G".

SMS05C, SMS12C, SMS15C, SMS24C

TYPICAL PERFORMANCE CURVES ($T_J = 25^\circ\text{C}$ unless otherwise specified)

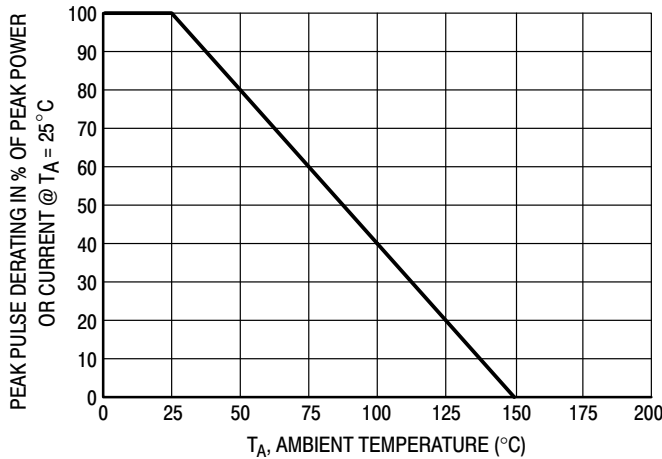


Figure 1. Pulse Derating Curve

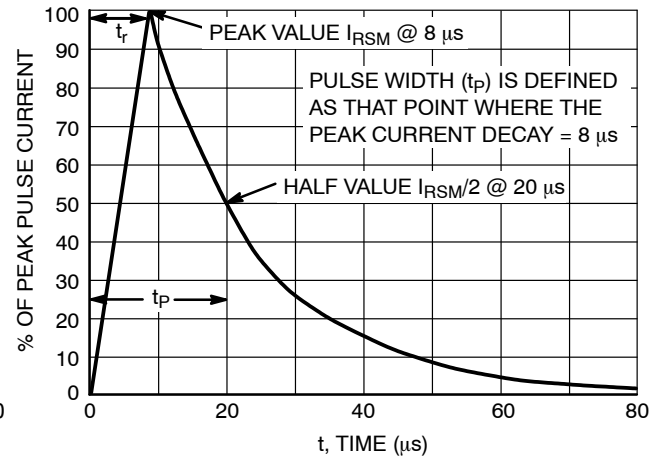


Figure 2. $8 \times 20 \mu\text{s}$ Pulse Waveform

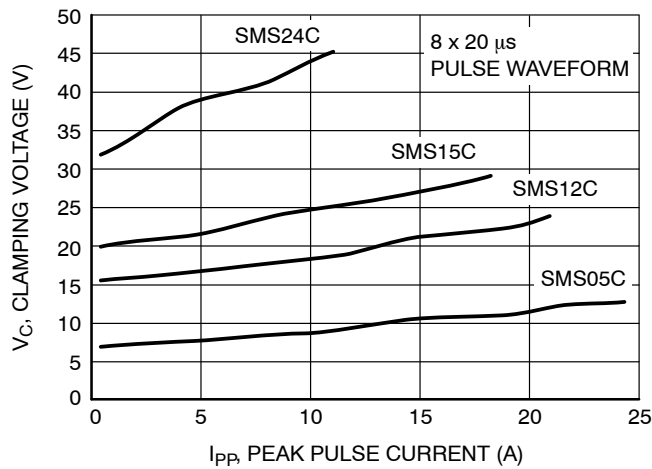


Figure 3. Clamping Voltage vs. Peak Pulse Current

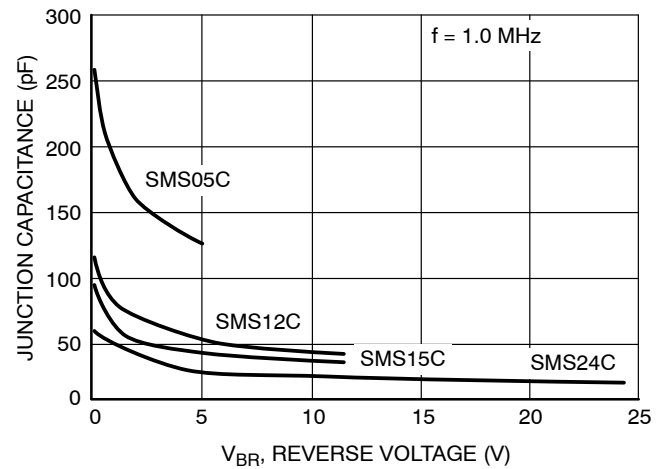


Figure 4. Junction Capacitance vs. Reverse Voltage

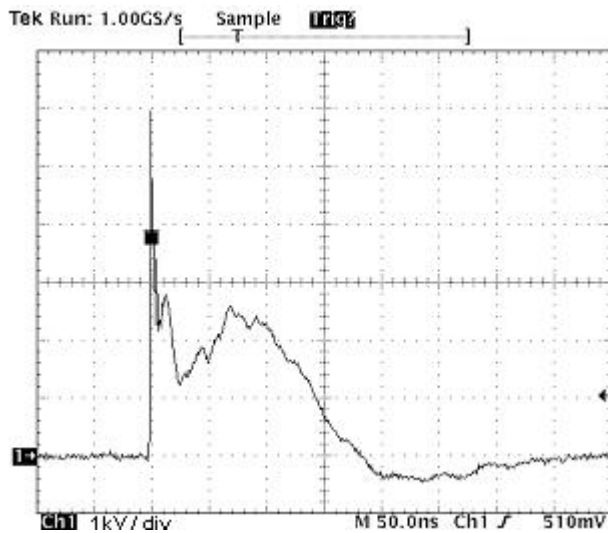


Figure 5. ESD Pulse IEC 61000-4-2 (8.0 kV Contact)

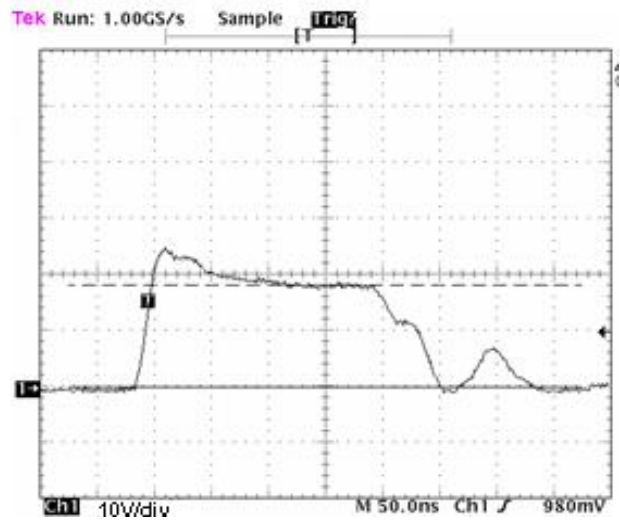


Figure 6. SMS15CT1 ESD Response for IEC 61000-4-2 (+8.0 kV Contact)

SMS05C, SMS12C, SMS15C, SMS24C

TYPICAL COMMON ANODE APPLICATIONS

A 5 surge protection junction common anode design in a TSOP-6 package protects four separate lines using only one package. This adds flexibility and creativity to PCB design

especially when board space is at a premium. A simplified example of SMS05C Series Device applications is illustrated below.

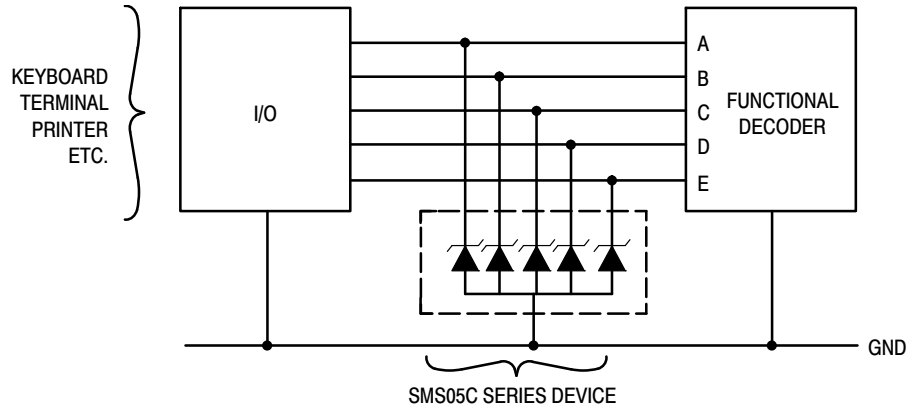


Figure 7. Computer Interface Protection

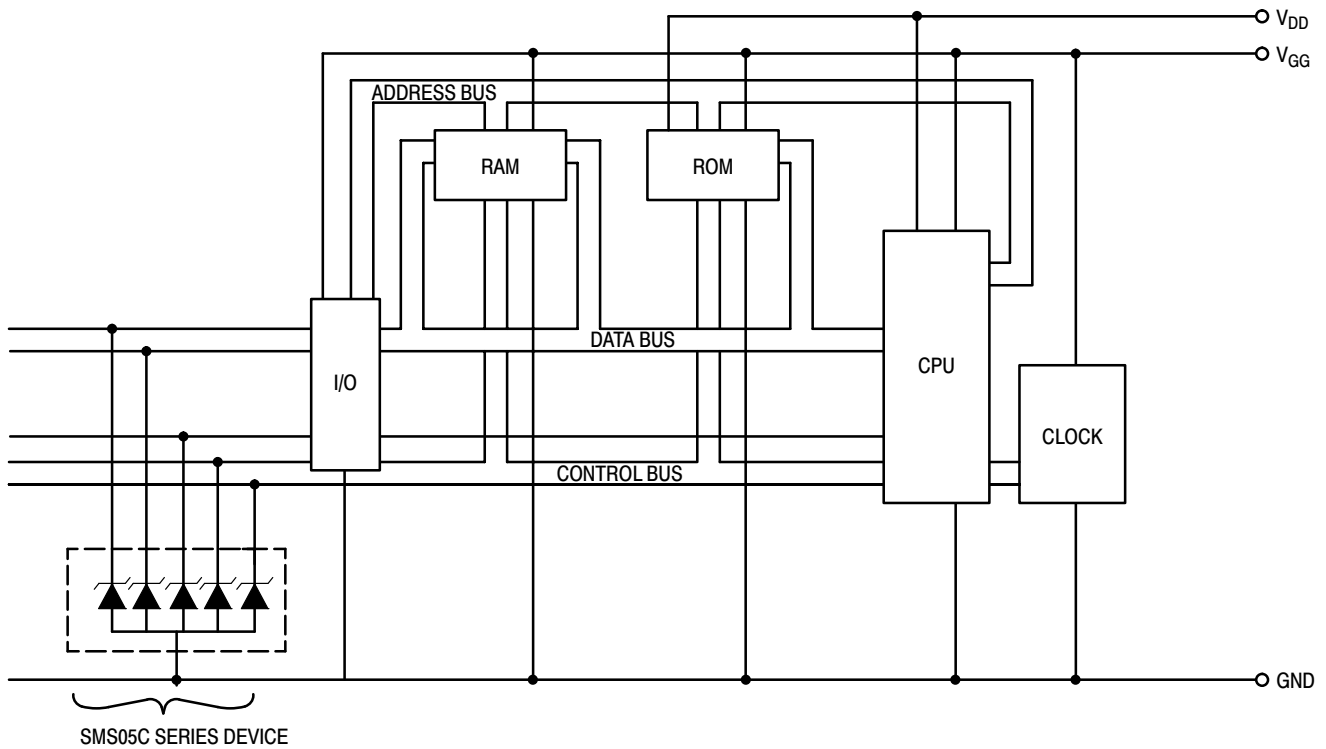
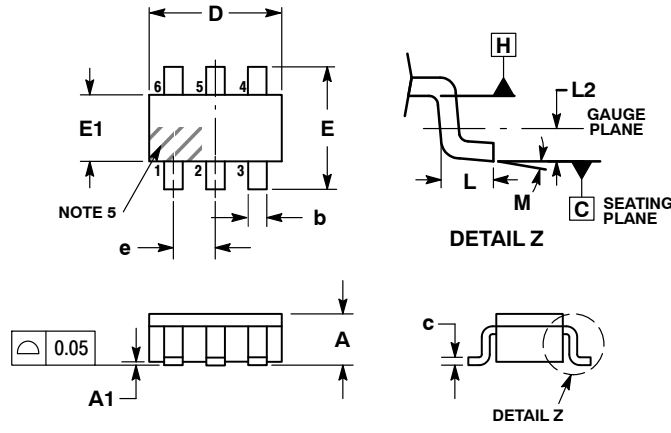


Figure 8. Microprocessor Protection

SMS05C, SMS12C, SMS15C, SMS24C

PACKAGE DIMENSIONS

TSOP-6 CASE 318G-02 ISSUE V

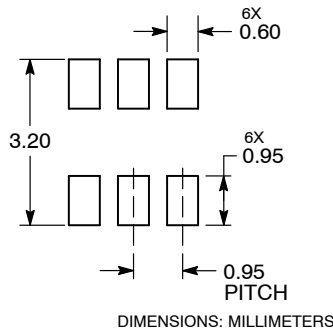


NOTES:

1. DIMENSIONING AND TOLERANCING PER ASME Y14.5M, 1994.
2. CONTROLLING DIMENSION: MILLIMETERS.
3. MAXIMUM LEAD THICKNESS INCLUDES LEAD FINISH. MINIMUM LEAD THICKNESS IS THE MINIMUM THICKNESS OF BASE MATERIAL.
4. DIMENSIONS D AND E1 DO NOT INCLUDE MOLD FLASH, PROTRUSIONS, OR GATE BURRS. MOLD FLASH, PROTRUSIONS, OR GATE BURRS SHALL NOT EXCEED 0.15 PER SIDE. DIMENSIONS D AND E1 ARE DETERMINED AT DATUM H.
5. PIN ONE INDICATOR MUST BE LOCATED IN THE INDICATED ZONE.

| DIM | MILLIMETERS | | |
|-----|-------------|------|------|
| | MIN | NOM | MAX |
| A | 0.90 | 1.00 | 1.10 |
| A1 | 0.01 | 0.06 | 0.10 |
| b | 0.25 | 0.38 | 0.50 |
| c | 0.10 | 0.18 | 0.26 |
| D | 2.90 | 3.00 | 3.10 |
| E | 2.50 | 2.75 | 3.00 |
| E1 | 1.30 | 1.50 | 1.70 |
| e | 0.85 | 0.95 | 1.05 |
| L | 0.20 | 0.40 | 0.60 |
| L2 | 0.25 BSC | | |
| M | 0° | - | 10° |

RECOMMENDED SOLDERING FOOTPRINT*



*For additional information on our Pb-Free strategy and soldering details, please download the ON Semiconductor Soldering and Mounting Techniques Reference Manual, SOLDERRM/D.

ON Semiconductor and are trademarks of Semiconductor Components Industries, LLC dba ON Semiconductor or its subsidiaries in the United States and/or other countries. ON Semiconductor owns the rights to a number of patents, trademarks, copyrights, trade secrets, and other intellectual property. A listing of ON Semiconductor's product/patent coverage may be accessed at www.onsemi.com/site/pdf/Patent-Marking.pdf. ON Semiconductor reserves the right to make changes without further notice to any products herein. ON Semiconductor makes no warranty, representation or guarantee regarding the suitability of its products for any particular purpose, nor does ON Semiconductor assume any liability arising out of the application or use of any product or circuit, and specifically disclaims any and all liability, including without limitation special, consequential or incidental damages. Buyer is responsible for its products and applications using ON Semiconductor products, including compliance with all laws, regulations and safety requirements or standards, regardless of any support or applications information provided by ON Semiconductor. "Typical" parameters which may be provided in ON Semiconductor data sheets and/or specifications can and do vary in different applications and actual performance may vary over time. All operating parameters, including "Typicals" must be validated for each customer application by customer's technical experts. ON Semiconductor does not convey any license under its patent rights nor the rights of others. ON Semiconductor products are not designed, intended, or authorized for use as a critical component in life support systems or any FDA Class 3 medical devices or medical devices with a same or similar classification in a foreign jurisdiction or any devices intended for implantation in the human body. Should Buyer purchase or use ON Semiconductor products for any such unintended or unauthorized application, Buyer shall indemnify and hold ON Semiconductor and its officers, employees, subsidiaries, affiliates, and distributors harmless against all claims, costs, damages, and expenses, and reasonable attorney fees arising out of, directly or indirectly, any claim of personal injury or death associated with such unintended or unauthorized use, even if such claim alleges that ON Semiconductor was negligent regarding the design or manufacture of the part. ON Semiconductor is an Equal Opportunity/Affirmative Action Employer. This literature is subject to all applicable copyright laws and is not for resale in any manner.

PUBLICATION ORDERING INFORMATION

LITERATURE FULFILLMENT:
Literature Distribution Center for ON Semiconductor
19521 E. 32nd Pkwy, Aurora, Colorado 80011 USA
Phone: 303-675-2175 or 800-344-3860 Toll Free USA/Canada
Fax: 303-675-2176 or 800-344-3867 Toll Free USA/Canada
Email: orderlit@onsemi.com

N. American Technical Support: 800-282-9855 Toll Free
USA/Canada
Europe, Middle East and Africa Technical Support:
Phone: 421 33 790 2910
Japan Customer Focus Center
Phone: 81-3-5817-1050

ON Semiconductor Website: www.onsemi.com
Order Literature: <http://www.onsemi.com/orderlit>

For additional information, please contact your local Sales Representative

Mouser Electronics

Authorized Distributor

Click to View Pricing, Inventory, Delivery & Lifecycle Information:

[ON Semiconductor:](#)

[SMS05CT1](#) [SMS05CT1G](#) [SMS12CT1](#) [SMS12CT1G](#) [SMS15CT1](#) [SMS15CT1G](#) [SMS24CT1](#) [SMS24CT1G](#)