

HBJD series 40type Warning Light

Specifications

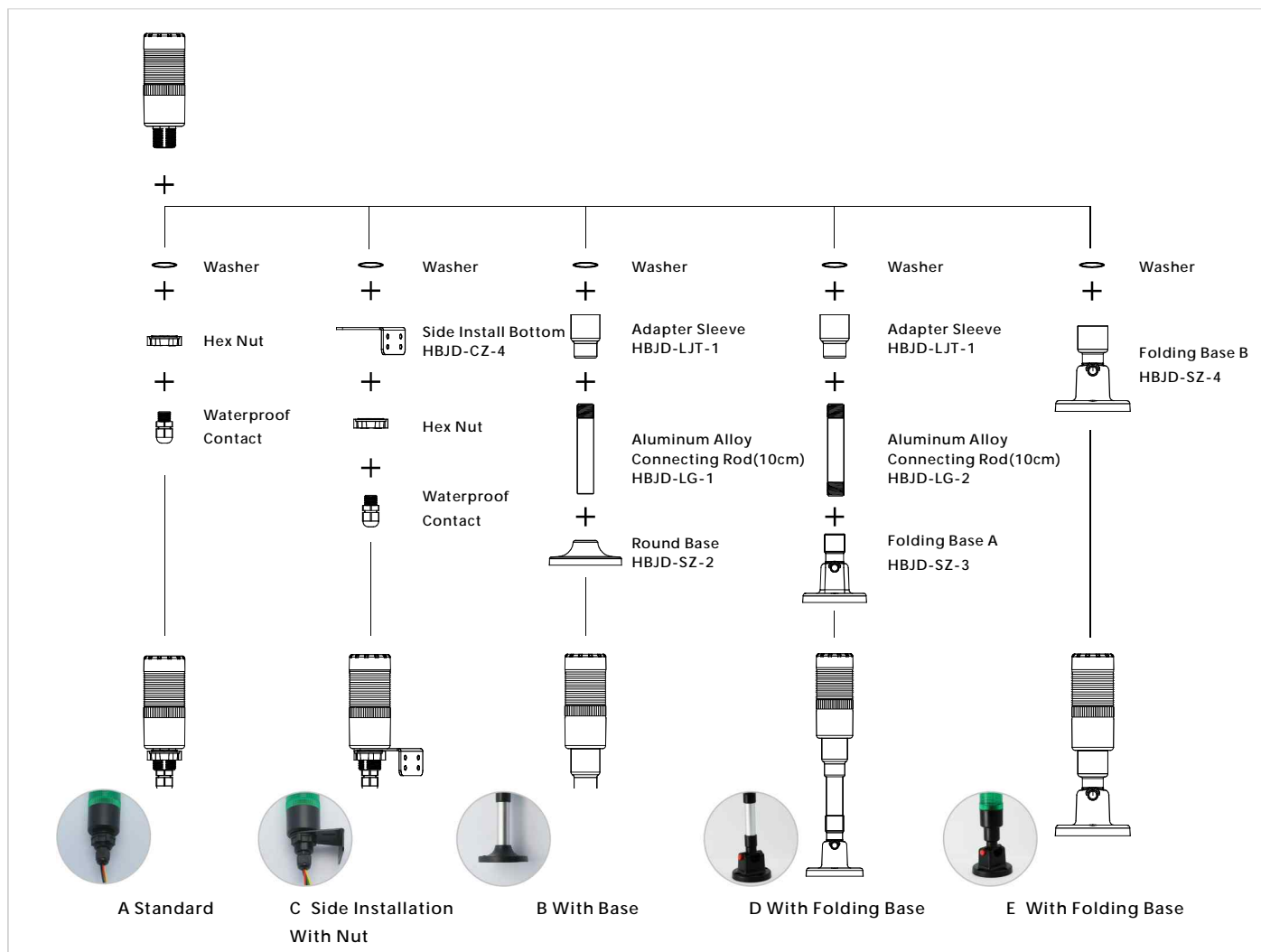
- Operating Temperature: -25°C~+55°C
- Relative air humidity: ≤98%
- Height above sea level: ≤2000m
- Vibration strength: 50Hz, amplitude about 1.2mm
- Continuous working time: 40000 hrs (LED continual light type)
25000hrs (LED flash light type)
- Sound pressure level: 80~90dB (1m)
- Pollution class: class 3



Part-number Description

HBJD	-	40	/	□	/	■	/	△	/	▲	/	●
Code of series	Size: Φ40mm	Signal source: D Continual light DZ Continual buzzer with continual light DW Discontinuous buzzer with continual light	Layers: 1 one layer 2 two layers 3 three layers	Color: From up to down	Use voltage: AC/DC 24V AC 220V	Installation method: A Standard type B with base C Side install with nut						

Installation Instruction



HBJD series 40type Warning Light

Product outline

HBJD - 40 / □ / ■ / △ / ▲ / ●



single layer



single layer with buzzer



two layers



two layers with buzzer



three layers



three layers with buzzer


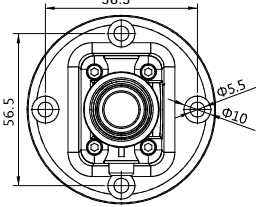
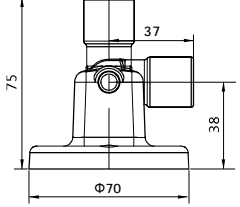

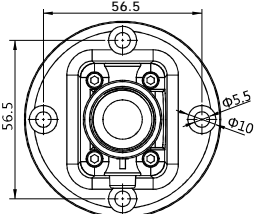
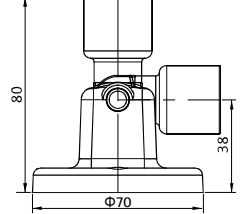
□ Sound and light type	■ Layer number	△ Led color	▲ Service voltage	● Way to install	Dimension figure
D:Continual light	1:one layer	R G B Y W	24V:DC24V 220V:AC220V	A Standard type B with base C Side installation with nut	
DZ Continual buzzer with continual light DW Discontinuous buzzer with continual light	1:one layer (with buzzer)	R G B Y W	24V:DC24V 220V:AC220V	A Standard type B with base C Side installation with nut	
D:Continual light	2:two layers	R G B Y W	24V:DC24V 220V:AC220V	A Standard type B with base C Side installation with nut	
DZ Continual buzzer with continual light DW Discontinuous buzzer with continual light	2:two layers (with buzzer)	R G B Y W	24V:DC24V 220V:AC220V	A Standard type B with base C Side installation with nut	
D:Continual light	3:three layers	R G B Y W	24V:DC24V 220V:AC220V	A Standard type B with base C Side installation with nut	
DZ Continual buzzer with continual light DW Discontinuous buzzer with continual light	3:three layers (with buzzer)	R G B Y W	24V:DC24V 220V:AC220V	A Standard type B with base C Side installation with nut	

Note: special voltage made to order; LED color mark from up to down.

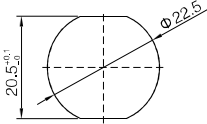
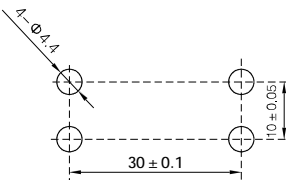
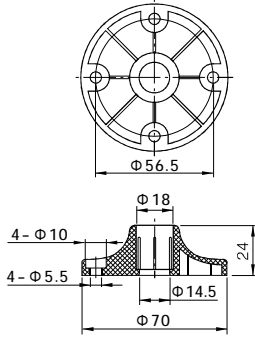
HBJD series 40type Warning Light accessories

Cutline and part number	Dimension figure
 <p>Vertical installed base HBJD-SZ-2</p>	
 <p>Side installed base HBJD-CZ-4</p>	
 <p>Connecting sleeve HBJD-LJT-1</p>	
 <p>Aluminum alloy connecting rod(10cm) HBJD-LG-1</p>	
 <p>Aluminum alloy connecting rod(10cm) HBJD-LG-2</p>	

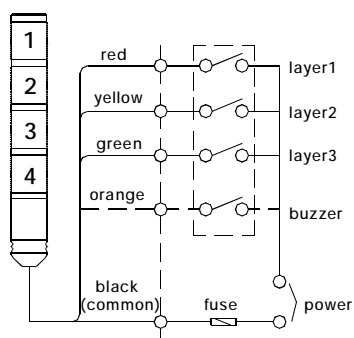
HBJD series 40type Warning Light accessories

Cutline and part number	Dimension figure	
<p>Folding base A HBJD-SZ-3</p> 		
<p>Folding base B HBJD-SZ-4</p> 		

Panel Opening Size

A standard type	C Side installation with nut	B with base
		

Wiring Diagram



Matters needing attention:

To preventing of fire and electric shock from happening; Users must pay attention to the following:

- ⦿ Power must be cut off before installation; construction and inspection!
- ⦿ No open fire around this product, operating temperature ≤ 55°C!
- ⦿ Power line must be approved by safety usage standard!
- ⦿ Base and connecting part assembly must be reliable!
- ⦿ Installation and maintain of this product must be operated by professional!